

Powerful and efficient 3-phase
AC drive, lift and steer control

Ergonomic and spacious operator
compartment

Compact design for maximum
maneuverability

The right performance package for
your business



ETV 210-212 / ETV 214-216 / ETM 214-216

Sit-Down Moving Mast Reach Truck (2,200 - 3,500 lbs.)

The ETV/ETM 2-Series of reach trucks offer the right solution for a wide range of applications. What features are most important to your business?

- **Performance** – Can drive up to 8.7 mph¹⁾ (loaded or unloaded) with excellent acceleration characteristics.
- **Energy efficient** – Jungheinrich® 4th generation AC technology offers high throughput combined with low energy consumption with the very latest drive and control technology.
- **Outstanding residual capacities** – With lift heights over 35 feet, this truck can reach your tallest racks retaining full capacity over 27 feet (depending on the reach truck configuration).

Premium ergonomics come standard with our moving mast reach trucks. This includes:

- Spacious, highly-adjustable operator compartment suitable for a wide range of operators.
- Automotive-style drive pedals allow for intuitive operation.
- The soloPILOT and multiPILOT control handles are both ergonomic and highly productive.
- The driving direction switch is a different color for better visibility. The horn button is integrated in the front area for faster operation. The optional acknowledgement button for clamped attachments is integrated for easy and fast operation.

- curveCONTROL, which provides automatic speed reduction during cornering, provides the operator with confidence while driving the reach truck, particularly when working in confined areas.

¹⁾ With drivePLUS Option. Refer to specification sheet for standard drive speeds. Not available on the ETV 210-212 models.

Technical data

				Jungheinrich		Jungheinrich		Jungheinrich					
				ETV 210		ETV 212		ETM 214					
Characteristics	1.1	Manufacturer			Jungheinrich		Jungheinrich		Jungheinrich				
	1.2	Model			ETV 210		ETV 212		ETM 214				
		G = fork, E = integrated sideshift			GE		GE		GE				
	1.3	Drive			electric		electric		electric				
	1.4	Type of operation			transverse seat		transverse seat		transverse seat				
	1.5	Load capacity/rated load	Q	lbs	kg	2,200	1,000	2,600	1,200	3,000	1,400		
	1.6	Load center distance	c	in	mm	24	600	24	600	24	600		
	1.8	Load distance, center of drive axle to fork	x	in	mm	12.4 ¹⁾	315 ¹⁾	15.7 ¹⁾	400 ¹⁾	13.9 ¹⁾	353 ¹⁾		
		Mast pushed forward	x ₁	in	mm	6.7	170	6.7	170	8.1	205		
1.9	Wheelbase	y	in	mm	51.2	1,300	54.5	1,385	55.5	1,410			
Weights	2.1	Service weight including battery (see line 6.5)			lbs	kg	5,644	2,560	5,688	2,580	6,559	2,975	
	2.3	Axle loading: unloaded, drive/load			lbs	kg	3,499 / 2,145	1,587 / 973	3,499 / 2,189	1,587 / 993	3,935 / 2,623	1,785 / 1,190	
	2.4	Axle loading: fork advanced, loaded drive/load			lbs	kg	1,398 / 6,451	634 / 2,926	1,138 / 7,196	516 / 3,264	1,060 / 8,585	481 / 3,894	
	2.5	Axle loading: fork retracted, loaded drive/load			lbs	kg	2,826 / 5,022	1,282 / 2,278	3,000 / 5,333	1,361 / 2,419	3,376 / 6,270	1,531 / 2,844	
Wheels, Chassis	3.1	Tires			Vulkollan®		Vulkollan®		Vulkollan®				
	3.2	Tire size, drive		in	mm	13.5 x 4.5	343 x 114	13.5 x 4.5	343 x 114	13.5 x 4.5	343 x 114		
	3.3	Tire size, load		in	mm	9.1 x 3.3	230 x 85	9.1 x 3.3	230 x 85	11.2 x 3.9	285 x 100		
	3.5	Wheels – number, drive / load (x = driven wheels)					1x / 2		1x / 2		1x / 2		
	3.7	Track width, load side	b ₁₁	in	mm	39.1	993	39.1	993	38.8	986		
Dimensions	4.1	Mast – fork carriage tilt, forward/backward			degrees		see mast table below		see mast table below		see mast table below		
	4.2	Collapsed mast height	h ₁	in	mm	see mast table below		see mast table below		see mast table below			
	4.3	Free-lift	h ₂	in	mm	see mast table below		see mast table below		see mast table below			
	4.4	Maximum fork height (MFH)	h ₃	in	mm	see mast table below		see mast table below		see mast table below			
	4.5	Overall extended height (OAE)	h ₄	in	mm	see mast table below		see mast table below		see mast table below			
	4.7	Overhead load guard (cab) height	h ₆	in	mm	86.2	2,190	86.2	2,190	86.2	2,190		
	4.8	Seat height	h ₇	in	mm	41.6	1,057	41.6	1,057	41.6	1,057		
	4.10	Height of wheel arms	h ₈	in	mm	10.4 ⁷⁾	265 ⁷⁾	10.4 ⁷⁾	265 ⁷⁾	12.5 ⁷⁾	315 ⁷⁾		
	4.19	Overall length (including forks - ref. line 4.22)	l ₁	in	mm	91.4 ¹⁾	2321 ¹⁾	91.4 ¹⁾	2321 ¹⁾	95.2 ¹⁾	2,418 ¹⁾		
	4.20	Length to fork face, headlength (including fork thickness - see line 4.22)	l ₂	in	mm	47.1 ¹⁾	1196 ¹⁾	47.1 ¹⁾	1196 ¹⁾	50.0 ¹⁾	1,268 ¹⁾		
	4.21	Overall width - chassis / wheel legs	b ₁ /b ₂	in	mm	44.1	1,120	44.1	1,120	44.1 / 44.1	1,120 / 1,120		
	4.22	Fork dimensions - length/width/thickness s/e/l		in	mm	45.3 / 3.1 / 1.6	1,150 / 80 / 40	45.3 / 3.1 / 1.6	1,150 / 80 / 40	45.3 / 4.7 / 1.6	1,150 / 120 / 40		
	4.23	Fork carriage, ISO class/type A, B				2B		2B		2 / B			
	4.24	Fork carriage width	b ₃	in	mm	31.5	800	31.5	800	32.7	830		
	4.25	Overall fork width (minimum / maximum)	b ₅	in	mm	11.7	296	11.7	296	13.2 / 22.1	335 / 560		
	4.26	Distance from wheel arms/loading surfaces	b ₄	in	mm	35.4	900	35.4	900	30.7	780		
	4.28	Reach distance	l ₄	in	mm					22.0 ¹⁾	558 ¹⁾		
4.32	Ground clearance, center of wheelbase	m ₂	in	mm	3.1	80	3.1	80	3.1	80			
4.32.1	Ground clearance at lowest point		in	mm					1.2	30			
4.33	Aisle width (for 40 x 48 pallets L x W)	Ast	in	mm	103 ¹⁾³⁾	2626 ¹⁾³⁾	104 ¹⁾³⁾	2644 ¹⁾³⁾	107 ¹⁾³⁾	2,721 ¹⁾³⁾			
4.34	Aisle width (for 48 x 48 pallets L x W)	Ast	in	mm					111.2	2,824			
4.35	Minimum outside turning radius		in	mm					63.8	1,620			
4.37	Length to tip of wheel arms	l ₇	in	mm	64.6	1,640	67.9	1,725	70.1	1,780			
Performance	5.1	Travel speed, loaded/unloaded			mph	kph	6.8 ⁴⁾⁷⁾	11 ⁴⁾⁷⁾	6.8 ⁴⁾⁷⁾	11 ⁴⁾⁷⁾	6.8 ⁴⁾⁷⁾	11 ⁴⁾⁷⁾	
	5.2	Lift speed, loaded / unloaded			ft / min	m / s	74.8	0.38	68.9	0.35	74.8 / 137.8 ⁸⁾	0.38 / 0.70 ⁸⁾	
	5.3	Lowering speed, loaded/unloaded			ft / min	m / s	108.3	0.55	108.3	0.55	108.3	0.55	
	5.4	Reach speed, loaded/unloaded			ft / min	m / s	35.4 ⁸⁾	0.18 ⁸⁾	35.4 ⁸⁾	0.18 ⁸⁾	39.4 ⁸⁾	0.20 ⁸⁾	
	5.7	Gradeability, loaded/unloaded			%		9 / 13		9 / 13		9 / 13		
	5.8	Maximum gradeability, loaded/unloaded			%		10 / 15		10 / 15		10 / 15		
	5.9	Acceleration time, loaded/unloaded			sec		5.3 / 5.0		5.3 / 5.0		5.1 / 4.8		
	5.10	Service brake					electric		electric		electric		
	Motors	6.1	Drive motor (rating 60 minutes)			HP / kW		8 ²⁾	6 ²⁾	8 ²⁾	6 ²⁾	8 / 6 ²⁾	
		6.2	Lift motor rating at S ₃ 15%			HP / kW		13.3 / 17.8 ⁴⁾		13.3 / 17.8 ⁴⁾		17.8 / 13.3 ⁴⁾	
6.4		Battery voltage			V	Ah	48	280	48	280	48	500	
6.5		Battery weight, minimum			lbs	kg					1,653 ¹⁾	750 ¹⁾	
		Battery dimensions, l/w/h			in	mm					13.9/40.7/31.0 ¹⁾	353/1,035/787 ¹⁾	
Other Details	8.1	Type of drive control					Impulse / Mosfet AC		Impulse / Mosfet AC		Impulse / Mosfet AC		
	8.2	Operating pressure for attachments			psi	bar	2,175	150	2,175	150	2,175	150	
	8.3	Oil volume for attachments			gal/min	l/min	5.3	20	5.3	20	5.3	20	
	8.4	Sound level at driver's ear			dB (A)		68		68		68		

1) Different battery compartment sizes change these values
2) with drivePLUS, 11.4 HP / 8.5 kW
3) For floor storage with 8" maneuvering space included
4) In load direction 6.2 mph (9.98 Km/h)

5) with liftPLUS, 20.8 HP / 15.5 kW
6) Load wheel covers removed, subtract 1.2" / 30mm.
7) drivePLUS package increases performance (+ 1.9 mph / 3 Km/h)
8) liftPLUS package increases performance

as of: 3/2022

1.1	Jungheinrich		Jungheinrich		Jungheinrich	
1.2	ETV 214		ETM216		ETV 216	
	GE		GE		GE	
1.3	electric		electric		electric	
1.4	transverse seat		transverse seat		transverse seat	
1.5	3,000	1,400	3,500	1,600	3,500	1,600
1.6	24	600	24	600	24	600
1.8	16.7 ¹⁾	423 ¹⁾	15.9 ¹⁾	403 ¹⁾	16.3 ¹⁾	413 ¹⁾
	8.1	205	8.1	205	8.1	205
1.9	55.5	1,410	57.5	1,460	57.5	1,460
2.1	6,614	3,000	6,856	3,110	6,914	3,136
2.3	4,034 / 2,574	1,830 / 1,170	4,045 / 2,811	1,835 / 1,275	4,149 / 2,765	1,882 / 1,254
2.4	1,262 / 8,440	572 / 3,828	1,142 / 9,242	518 / 4,192	1,149 / 9,293	521 / 4,215
2.5	3,590 / 6,112	1,628 / 2,772	3,636 / 6,749	1,649 / 3,061	3,656 / 6,786	1,658 / 3,078
3.1	Vulkollan®		Vulkollan®		Vulkollan®	
3.2	13.5 x 4.5	343 x 114	13.5 x 4.5	343 x 144	13.5 x 4.5	343 x 144
3.3	11.2 x 3.9	285 x 100	11.2 x 3.9	285 x 100	11.2 x 3.9	285 x 100
3.5	1x / 2		1x / 2		1x / 2	
3.7	44.7	1,136	38.8	986	44.7	1,136
4.1	see mast table below		see mast table below		see mast table below	
4.2	see mast table below		see mast table below		see mast table below	
4.3	see mast table below		see mast table below		see mast table below	
4.4	see mast table below		see mast table below		see mast table below	
4.5	see mast table below		see mast table below		see mast table below	
4.7	86.2	2,190	86.2	2,190	86.2	2,190
4.8	41.6	1,057	41.6	1,057	41.6	1,057
4.10	12.5 ⁷⁾	315 ⁷⁾	12.5 ⁷⁾	315 ⁷⁾	12.5 ⁷⁾	315 ⁷⁾
4.19	92.4 ¹⁾	2,346 ¹⁾	95.2 ¹⁾	2,418 ¹⁾	94.8 ¹⁾	2,408 ¹⁾
4.20	47.2 ¹⁾	1,198 ¹⁾	50.0 ¹⁾	1,268 ¹⁾	49.5 ¹⁾	1,258 ¹⁾
4.21	50 / 50	1,270 / 1,270	44.1 / 44.1	1,120 / 1,120	50 / 50	1,270 / 1,270
4.22	45.3 / 4.7 / 1.6	1,150 / 120 / 40	45.3 / 4.7 / 1.6	1,150 / 120 / 40	45.3 / 4.7 / 1.6	1,150 / 120 / 40
4.23	2 / B		2 / B		2 / B	
4.24	32.7	830	32.7	830	32.7	830
4.25	13.2 / 28.7	335 / 730	13.2 / 22.1	335 / 560	13.2 / 28.7	335 / 730
4.26	37	940	30.7	780	37	940
4.28	24.7 ¹⁾	628 ¹⁾	23.9 ¹⁾	608 ¹⁾	24.3 ¹⁾	618 ¹⁾
4.32	3.1	80	3.1	80	3.1	80
4.32.1	1.2	30	1.2	30	1.2	30
4.33	105.1 ¹⁾³⁾	2,670 ¹⁾³⁾	107.6 ¹⁾³⁾	2,734 ¹⁾³⁾	107.4 ¹⁾³⁾	2,727 ¹⁾³⁾
4.34	108.8	2,764	111.5	2,831	111.1	2,823
4.35	63.8	1,620	65.7	1,670	65.7	1,670
4.37	70.1	1,780	72.0	1,830	72.0	1,830
5.1	6.8 ⁴⁾⁷⁾	11 ⁴⁾⁷⁾	6.8 ⁴⁾⁷⁾	11 ⁴⁾⁷⁾	6.8 ⁴⁾⁷⁾	11 ⁴⁾⁷⁾
5.2	74.8 / 137.8 ⁸⁾	0.38 / 0.70 ⁸⁾	68.9 / 137.8 ⁸⁾	0.35 / 0.70 ⁸⁾	68.9 / 137.8 ⁸⁾	0.35 / 0.70 ⁸⁾
5.3	108.3	0.55	108.3	0.55	108.3	0.55
5.4	39.4 ⁸⁾	0.20 ⁸⁾	39.4 ⁸⁾	0.20 ⁸⁾	39.4 ⁸⁾	0.20 ⁸⁾
5.7	9 / 13		8 / 12		8 / 12	
5.8	10 / 15		10 / 15		10 / 15	
5.9	5.1 / 4.8		5.1 / 4.8		5.1 / 4.8	
5.10	electric		electric		electric	
6.1	8 / 6 ²⁾		8 / 6 ²⁾		8 / 6 ²⁾	
6.2	17.8 / 13.3 ⁴⁾		17.8 / 13.3 ⁴⁾		17.8 / 13.3 ⁴⁾	
6.4	48	500	48	500	48	500
6.5	1,653 ¹⁾	750 ¹⁾	1,653 ¹⁾	750 ¹⁾	1,653 ¹⁾	750 ¹⁾
	11.1/40.1/31.0 ¹⁾	283/1,223/787 ¹⁾	13.9/40.7/31.0 ¹⁾	353/1,035/787 ¹⁾	11.1/40.1/31.0 ¹⁾	283/1,223/787 ¹⁾
8.1	Impulse / Mosfet AC		Impulse / Mosfet AC		Impulse / Mosfet AC	
8.2	2,175	150	2,175	150	2,175	150
8.3	5.3	20	5.3	20	5.3	20
8.4	68		68		68	

Note: Equipping this model (these models) with a power source (e.g. Lithium-ion, Hydrogen Fuel cell, etc.) that has not been previously approved by the factory is considered a modification. Per OSHA 1910.178 and ANSI/ITSDF B56.1, please consult with your factory representative prior to installing any non-OEM power source that has not been previously approved.

This specification sheet only provides technical values for the standard truck. Non-standard tires, different masts, additional equipment, etc., could produce other values. Rights reserved for technical changes and improvements.

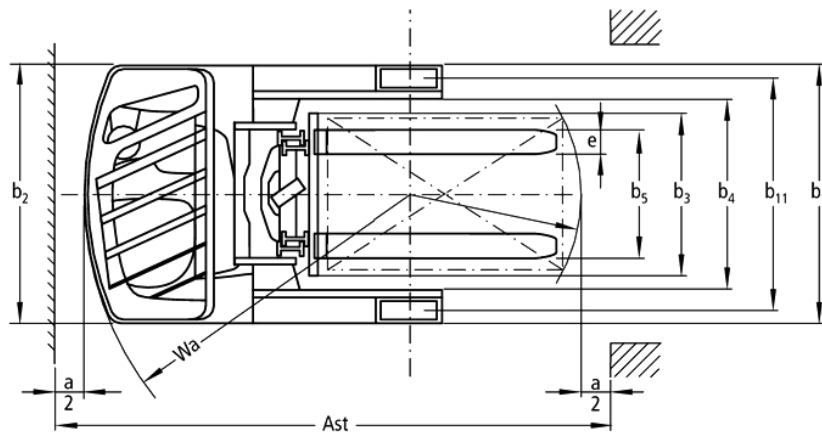
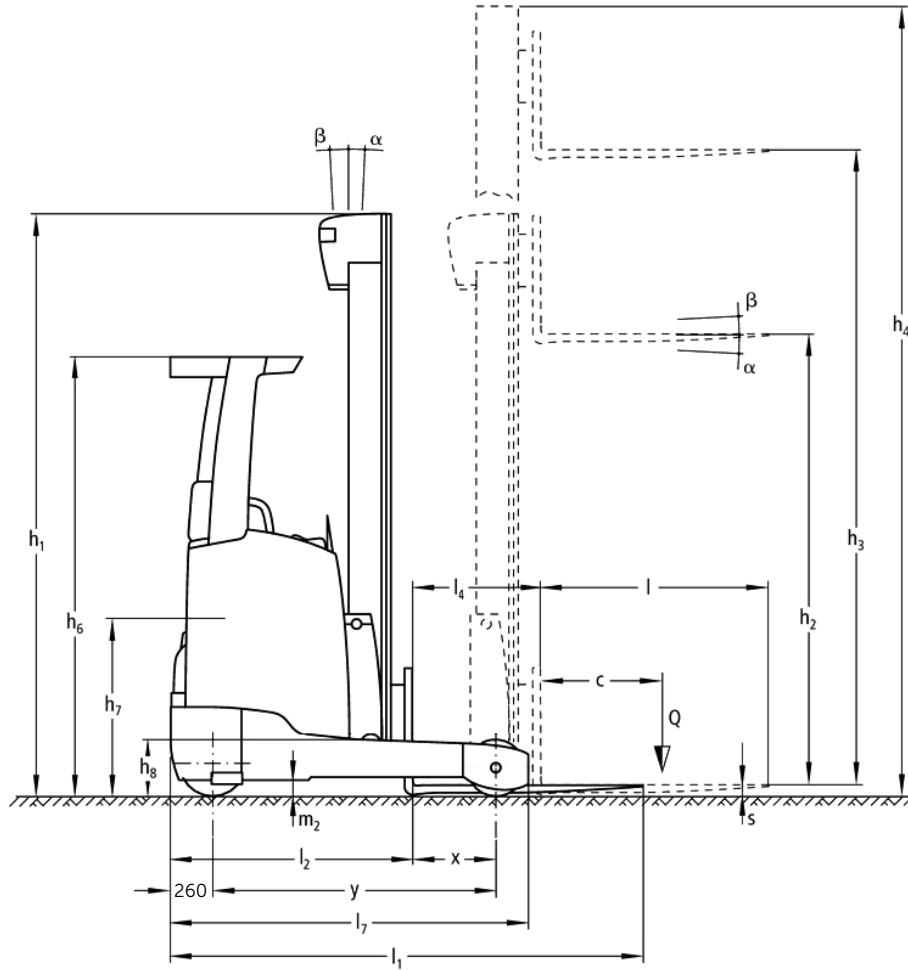
ETV 210-212 / ETV 214-216 / ETM 214-216

Mast Table ETM 214, ETV 214, ETM 216, ETV 216										
	Lift height h_3		Collapsed mast height h_1		Free lift h_2		Extended mast height h_4		Mast tilt forward / backward	Fork tilt forward / backward*
	in	mm	in	mm	in	mm	in	mm	$\alpha^\circ / \beta^\circ$	$\alpha^\circ / \beta^\circ$
Three-Stage Mast DZ Cold-Formed (Full Free-Lift)	256	6,500	106	2,700	81	2,046	282	7,154	0.5 / 2	
	268	6,800	110	2,800	84	2,146	293	7,454	0.5 / 2	
	280	7,100	114	2,900	88	2,246	305	7,754	0.5 / 2	
	288	7,310	117	2,970	91	2,316	314	7,964	0.5 / 1	
	291	7,400	118	3,000	92	2,346	317	8,054	0.5 / 1	
	303	7,700	122	3,100	96	2,446	329	8,354	0.5 / 1	
	315	8,000	126	3,200	100	2,546	341	8,654	0.5 / 1	
	327	8,300	130	3,300	104	2,646	353	8,954	0.5 / 1	
	331	8,420	131	3,340	106	2,686	357	9,074	0.5 / 1	
	343	8,720	135	3,440	110	2,786	369	9,374	0.5 / 1	
	355	9,020	139	3,540	114	2,886	381	9,674	0.5 / 1	

Mast Table ETV 210, ETV 212, ETM 214, ETV 214, ETM 216, ETV 216										
	Lift height h_3		Collapsed mast height h_1		Free lift h_2		Extended mast height h_4		Mast tilt forward / backward	Fork tilt forward / backward*
	in	mm	in	mm	in	mm	in	mm	$\alpha^\circ / \beta^\circ$	$\alpha^\circ / \beta^\circ$
Three-Stage Mast DZ Hot-Rolled (Full Free-Lift)	179	4,550	81	2,050	55	1,396	205	5,204	1 / 5	
	197	5,000	87	2,200	61	1,546	223	5,654	1 / 5	
	206	5,240	90	2,280	64	1,626	232	5,894	1 / 5	
	209	5,300	91	2,300	65	1,646	234	5,954	1 / 5	
	215	5,450	93	2,350	67	1,696	240	6,104	1 / 3	
	220	5,600	94	2,400	69	1,746	243	6,254	1 / 3	
	225	5,720	96	2,440	70	1,786	246	6,374	1 / 3	
	232	5,900	98	2,500	73	1,846	258	6,554	1 / 3	
	244	6,200	102	2,600	77	1,946	270	6,854	1 / 3	
	256	6,500	106	2,700	81	2,046	282	7,154	0.5 / 2	
	268	6,800	110	2,800	84	2,146	293	7,454	0.5 / 2	
	280	7,100	114	2,900	88	2,246	305	7,754	0.5 / 2	
	288	7,310	117	2,970	91	2,316	314	7,964	0.5 / 1	
	291	7,400	118	3,000	92	2,346	317	8,054	0.5 / 1	

Mast Table ETV 214, ETV 216										
	Lift height h ₃		Collapsed mast height h ₁		Free lift h ₂		Extended mast height h ₄		Mast tilt forward / backward	Fork tilt forward / backward*
	in	mm	in	mm	in	mm	in	mm	α° / β°	α° / β°
Three-Stage Mast DZ - Fork Tilt - Cold-Formed (Full Free-Lift)	197	5,000	87	2,200	61	1,546	223	5,654		2 / 5
	209	5,300	91	2,300	65	1,646	234	5,954		2 / 5
	220	5,600	94	2,400	69	1,746	246	6,254		2 / 5
	232	5,900	98	2,500	73	1,846	258	6,554		2 / 5
	244	6,200	102	2,600	77	1,946	270	6,854		2 / 5
	256	6,500	106	2,700	81	2,046	282	7,154		2 / 5
	268	6,800	110	2,800	84	2,146	293	7,454		2 / 5
	280	7,100	114	2,900	88	2,246	305	7,754		2 / 5
	291	7,400	118	3,000	92	2,346	317	8,054		2 / 5
	303	7,700	122	3,100	96	2,446	329	8,354		2 / 5
	315	8,000	126	3,200	100	2,546	341	8,654		2 / 5
	327	8,300	130	3,300	104	2,646	353	8,954		2 / 5
	331	8,420	131	3,340	106	2,686	357	9,074		2 / 5
	343	8,720	135	3,440	110	2,786	369	9,374		2 / 5
	355	9,020	139	3,540	114	2,886	381	9,674		2 / 5
	370	9,410	144	3,670	119	3,016	396	10,064		2 / 5
	391	9,920	151	3,840	125	3,186	416	10,574		2 / 5
404	10,250	156	3,950	130	3,296	429	10,904		2 / 5	
414	10,520	159	4,040	133	3,386	440	11,174		2 / 5	
421	10,700	161	4,100	136	3,446	447	11,354		2 / 5	

ETV 210-212 / ETV 214-216 / ETM 214-216





Performance-enhancing options to meet your application

- drivePLUS option increases drive speeds to 8.7 mph which can be especially beneficial for large warehouse applications.
- liftPLUS option increases lift speeds while loweringPRO option increases lowering speeds which can be advantageous in high-lift applications.
- Anti-Slip Regulation (ASR) option for controlled acceleration on smooth or wet surfaces.
- A wide range of lift and lower limit options.

The Jungheinrich Advantage

Jungheinrich's AC technology

- Jungheinrich's 4th generation AC technology provides improved performance and energy efficiency.
- Sealed motors, controllers and connectors provide for better durability especially when working in dusty or damp applications.
- AC Electric Power Steering provides improved serviceability, performance and energy efficiencies.
- AC motors lower maintenance costs by removing wear items commonly found in DC motors, such as contactors, brushes and springs.

Premium ergonomics

- Full suspension fabric seat with fore/aft, backrest and weight adjustments.
- Highly-adjustable operator compartment, which allows operators of various sizes to be comfortable and productive.
- Ergonomic and intuitive operator controls.

- All drive and hydraulic functions are comfortably controlled by either the multiPILOT or soloPILOT control handles.
- Low effort AC electric power steering.
- Premium, state-of-the-art 4" LED color display.
- Provides immediate feedback to both the operator and technician.
- 360° steer direction indicator.
- Battery discharge indicator.
- Three performance modes which can be modified to suit any application.
- Optional readouts such as lift height indicator and load weight display.

Robust and durable mast design

- Outstanding residual capacities.
- Excellent visibility both through and around the mast.
- Patented and proprietary mast reach cushioning allows for an improvement in operational productivities.

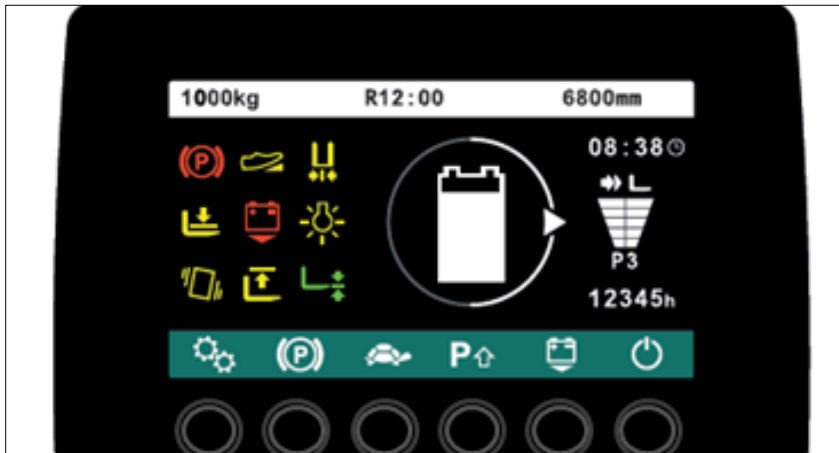


multiPILOT hydraulic control (optional)

Parts when you need them

Jungheinrich's Parts Fast or Parts Free Guarantee ensures next-business-day delivery by 5:00 PM of all Jungheinrich parts in the United States, or they're free, including freight. For customers in Canada and Mexico, the guarantee ensures shipping of parts within 24 hours from the time the order was placed by the dealer. See your local Jungheinrich dealer for program details.

* Programs may be subject to change without notice and may vary by region. Please ask your local Jungheinrich dealer for complete terms and conditions.



Informative Display